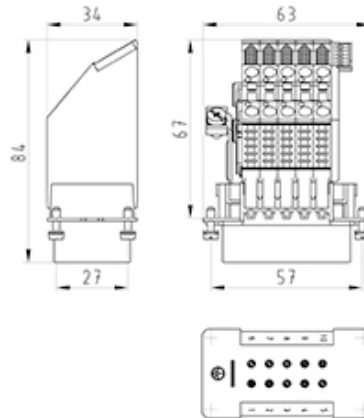


## Datasheet

Item No. 70.101.1053.0

Multipole adapter BAS BAF KL 10 2,5 50

Multipole adapter revos BASIC 500V/16A spring clamp connection  
10 pole + ground, short design, female insert, ground left



Item No.	70.101.1053.0
EAN	4015573607934
order unit	10 Piece(s)

## Approvals



## Technical data

### General

ArticlePrice	udp_no_price
Model	Female insert
Size (in accordance with DIN 43880)	10
Inflammability class of insulation material acc. with UL94	V0
Colour	Grey
Mating cycles	200
Pollution degree	3
Operating temperature range min.	-40 °C
Operating temperature range max.	120 °C
Modular version	No

### Connection Data

Connection type	Spring
Number of poles	10
Plus switching contacts	0
Number of pole for rated current 2	0
Number of pole for rated current 3	0
Total number of poles (without ground contact)	10
With wire protection	Yes
Leiterquerschnitt starr (ein-/mehrdrahtig) Min.	0.5
Leiterquerschnitt starr (ein-/mehrdrahtig) Max.	2.5
Protective contact	Yes

### Technical Data UL/CSA

Rated voltage according to UL/CSA	600
Rated current according UL	16
Rated current according CSA	16
Min. conductor cross section flexible wire	0.5
Max. conductor cross section flexible wire	2.5
Conductor cross section flexible AWG wire	20-12 AWG

**Model**

With housing	No
Construction type	Short design (4 marking fields)
Position of protective conductor	Left

**Contacts**

Contact material	Copper alloy
Surface	Silver-plated
Wire strip length	9 mm
Contact resistance	3 mOhm

**Screws head design/recomm. Torque**

Mounting screws	H1/0.5-0.7 Nm
Ground conductor screws	H2/1.2-1.6 Nm

**Technical Data DIN EN 61984**

Nominal voltage	500
Rated voltage face/ground	500
Nominal current	16
Rated impulse voltage	6 kV